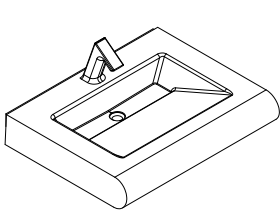
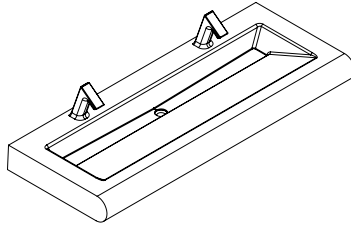


Electronic Lavatory Round Front

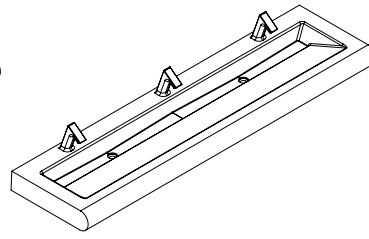
One, Two, Three, and Four Station



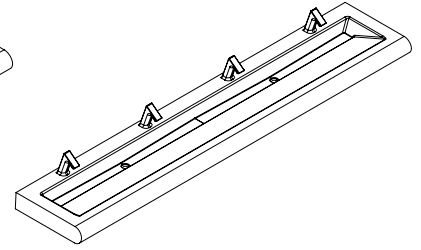
ELRF-81000
Electronic Lavatory System



ELRF-82000
Electronic Lavatory System



ELRF-83000
Electronic Lavatory System



ELRF-84000
Electronic Lavatory System

⚠ Important



Read this entire installation manual to ensure proper installation. When finished with the installation, file this manual with the owner or maintenance department.

Compliance and conformity to local codes and ordinances is the responsibility of the installers.



Separate parts from packaging and make sure all parts are accounted for before discarding any packaging material. If any parts are missing, do not begin installation until all parts are obtained.



Make sure that all water supply lines have been flushed and completely turned off before starting the installation. Debris in supply lines can cause valves to malfunction.



Turn off electrical power to the electrical outlets, then unplug units prior to installation. Electrical power **MUST** remain off until installation is complete.



Installers hardware must be appropriate for wall construction. Wall anchors and mounting fasteners **MUST** have a minimum pull-out rating of 1,000 lbs for 3/8" hole.



For standard height mounting, **DO NOT** exceed the recommended 34 inch distance from the top of the sink deck to the finished floor. To meet ADA requirements the sink deck cannot not exceed the 34 inch maximum height dimension.



Wear all proper safety equipment prior to installation

Tools and Supplies Required for Installation

- Electric drill for drilling anchor holes
- Standard sockets, basin wrench, and open end wrench set for installing anchoring fasteners and faucets
- Pipe wrench for installing drain lines
- Phillips and straight blade screwdrivers
- Tubing cutter
- Level
- Carpenter's square
- Caulk gun
- 1/2" NPT hot/cold or tempered supply piping
- 1 1/2" NPT drain piping including p-trap
- Adhesive: Loctite® PL Premium® FAST GRAB Polyurethane Construction Adhesive, or equivalent
- 110 volt GFCI protected electrical outlet for 100-120 VAC plug-in transformer
- Screen filter(s) included with faucet(s)
- Backing supplied by others to meet local codes

Prior to Installation

CAUTION:

Adequate structural support in or behind the wall is required. Refer to the appropriate rough-in diagram for dry weight of sink. All electrical wiring is to be installed in accordance with national/local codes and regulations. Electrical outlets should be recessed and installed prior to installation. All plumbing should be installed in accordance with applicable codes and regulations. Before connecting flex hoses to supply stops, flush all water lines until water is clear. Hot and cold water supply lines/tempered supply line and drain lines. Recommended to have Control Stops on water supply lines in place prior to installation.

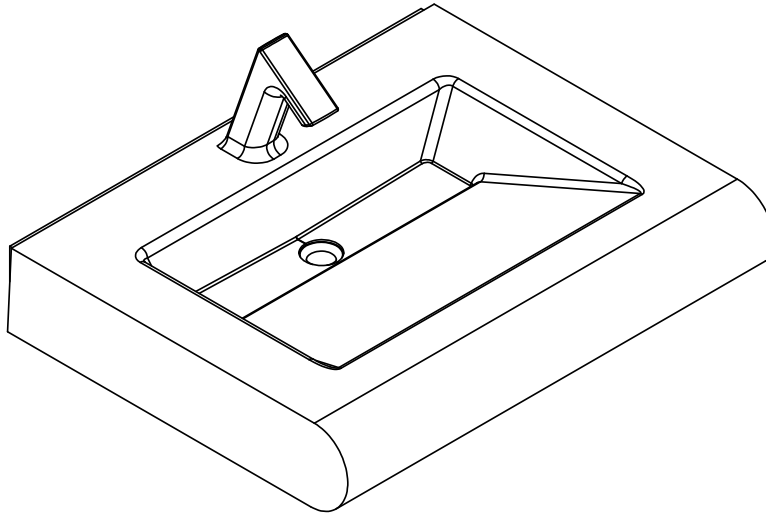
Limited Warranty

Unless otherwise noted, Sloan Valve Company warrants its Products to be made of first class materials, free from defects of material or workmanship under normal use and to perform the service for which they are intended in a thoroughly reliable and efficient manner when properly installed and serviced, for a period of three years (1 year for SF Faucets, special finishes and PWT electronics and 30 days on PWT software) from date of purchase. During this period, Sloan Valve Company will, at its option, repair or replace any part or parts which prove to be thus defective if returned to Sloan Valve Company, at customer's cost, and this shall be the sole remedy available under this warranty. No claims will be allowed for labor, transportation or other incidental costs. This warranty extends only to persons or organizations who purchase Sloan Valve Company's products directly from Sloan Valve Company for purpose of resale. This warranty does not cover the life of the batteries.

THERE ARE NO WARRANTIES WHICH EXTEND BEYOND THE DESCRIPTION ON THE FACE HEREOF. IN NO EVENT IS SLOAN VALVE COMPANY RESPONSIBLE FOR ANY CONSEQUENTIAL DAMAGES OF ANY MEASURE WHATSOEVER.

ELRF-81000

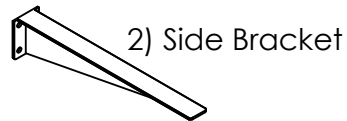
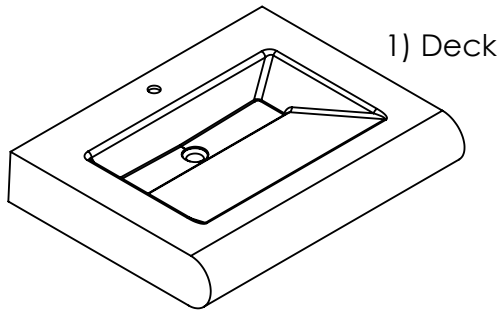
One Station



Sink Location

Determine the appropriate wall location for the Lavatory System. Consider that hot and cold water supply lines, a drain line, and an electrical source (receptacle for hardwired faucets and hand dryer) will be required. Compare the physical dimensions of the Lavatory System to the space available for the installation. If wall is not load bearing, a carrier may be required behind the wall. Refer to the appropriate Rough-in diagrams for Lavatory System dimensions. Prior to Lavatory System installation, electric wiring, water supply and drain must be installed.

ELRF One Station Components



ELRF One Station Component List

Description	Item Number	Quantity
ELRF, One Station, Deck	1	1
Side Bracket	2	2

Rough-In (One Station); Rough In

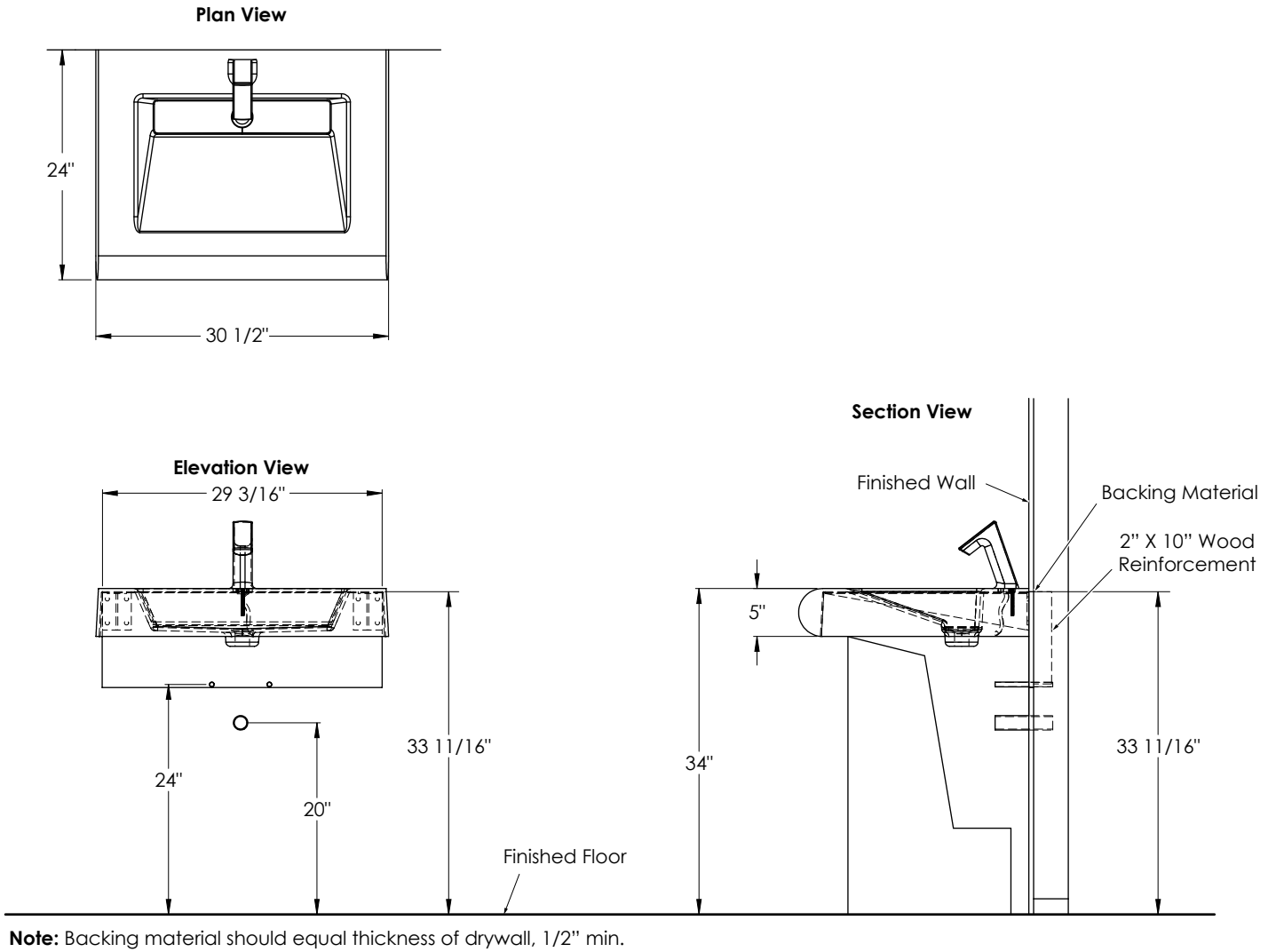
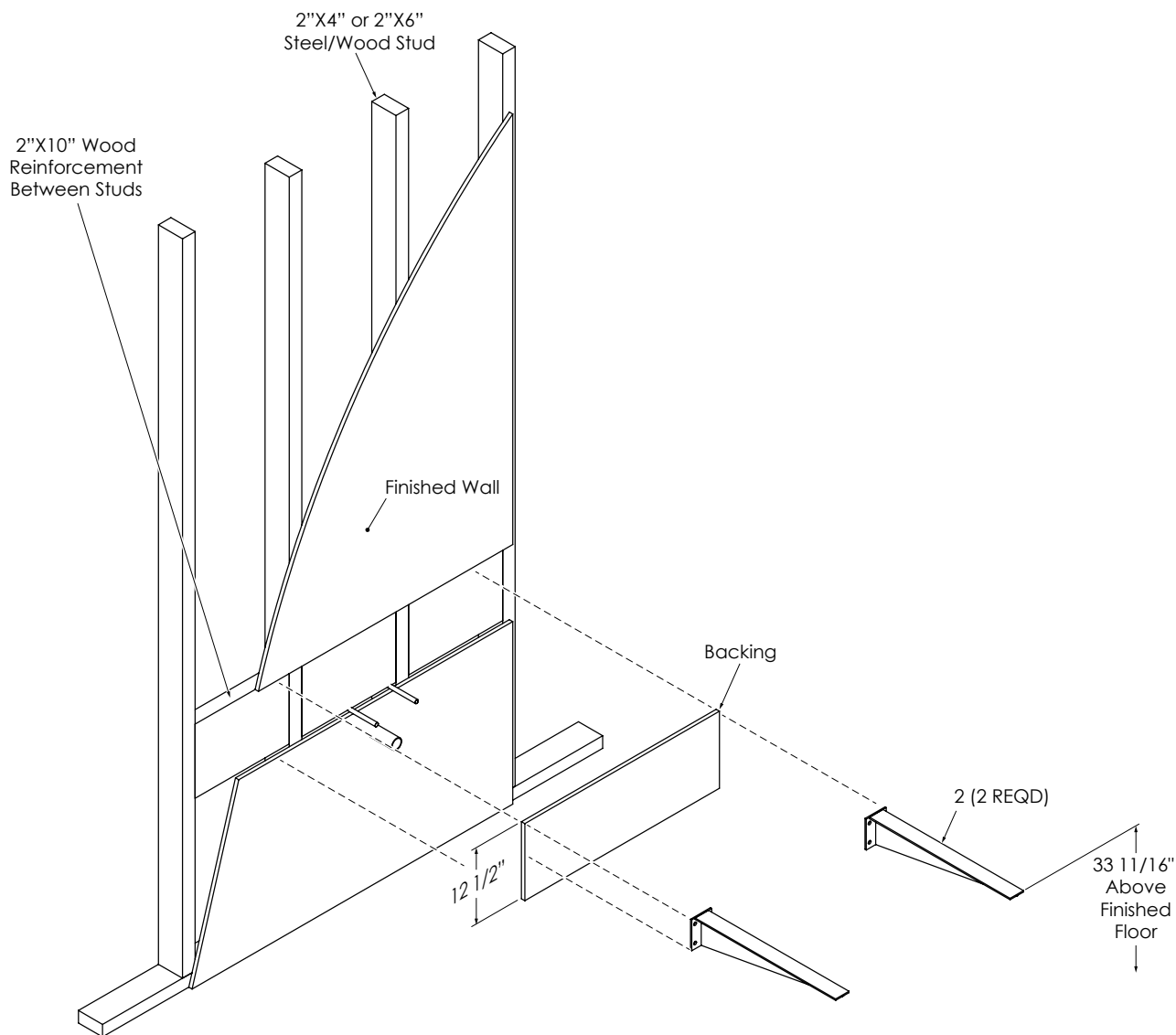


Figure 1

Backing and Bracket Installation (One Station)



Note:
Due to manufacturer tolerances, all dimensions are for reference only.

Figure 2

1. Install Backing (Figure 2) onto wall studs.
Note: Backing supplied by others to meet local codes.
 - a. If drywall is present, refer to rough-in, Figure 1, and cut out drywall window to the outer dimension of the side brackets and 12 1/2" high, 33" above finished floor.
 - b. Remove drywall window.
 - c. Pre-drill/cut holes for plumbing and electrical.
 - d. Install backing into cutout drywall window.
2. Mount the Side Brackets (2, Figure 2) to the backing. Ensure that Side Brackets (2) are level and the proper distance from the floor.
Note: Anchor side brackets to wall using 1,000 lb pull out mounting fasteners for 3/8" holes (not supplied).
 - a. Using mounting fasteners secure Side Brackets (2) onto backing, making sure that the top of Side Brackets (2) are 33 inches above finished floor. (ADA specifications)

Faucet Installation (One Station)

Notes:

- For ease of deck installation, leave the deck laying on its back and install component spouts.
- Components shown for reference only.

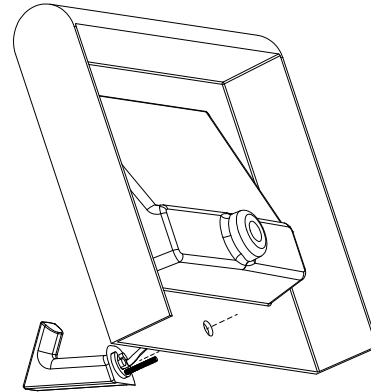


Figure 3

3. Install Faucet spout, (Figure 3) onto sink according to manufacturer's instructions provided with component.

Sink Installation (One Station)

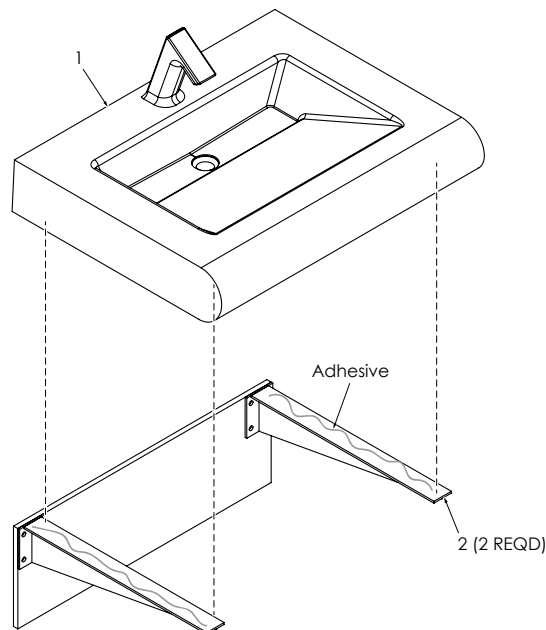


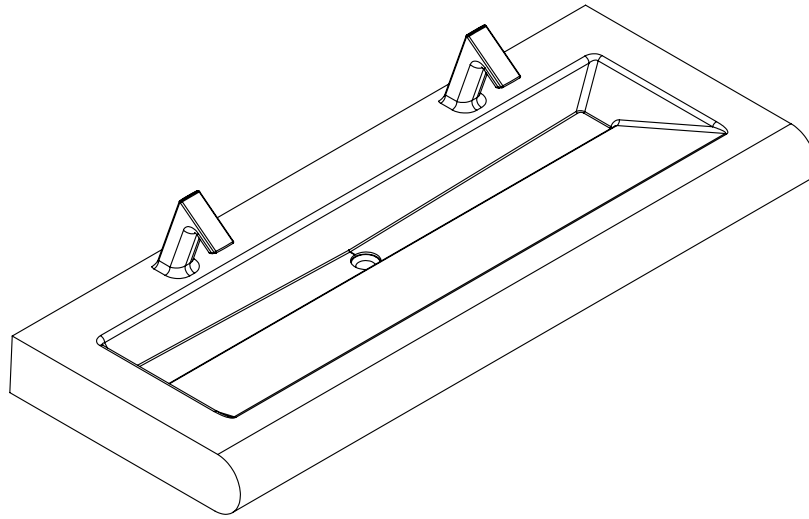
Figure 4

4. Install Deck (1, Figure 4) onto Side Brackets (2).
Note: Back of Deck (1) may require scribing to finished wall.
 - a. Apply adhesive (not supplied) to the top of Side Brackets (2).
 - b. Lower Deck (1) onto Side Brackets (2). Shim all gaps between Side Brackets (2) and Deck (1).
 - c. Install all water connections and drain lines.

End of ELRF-81000 Installation Instructions

ELRF-82000

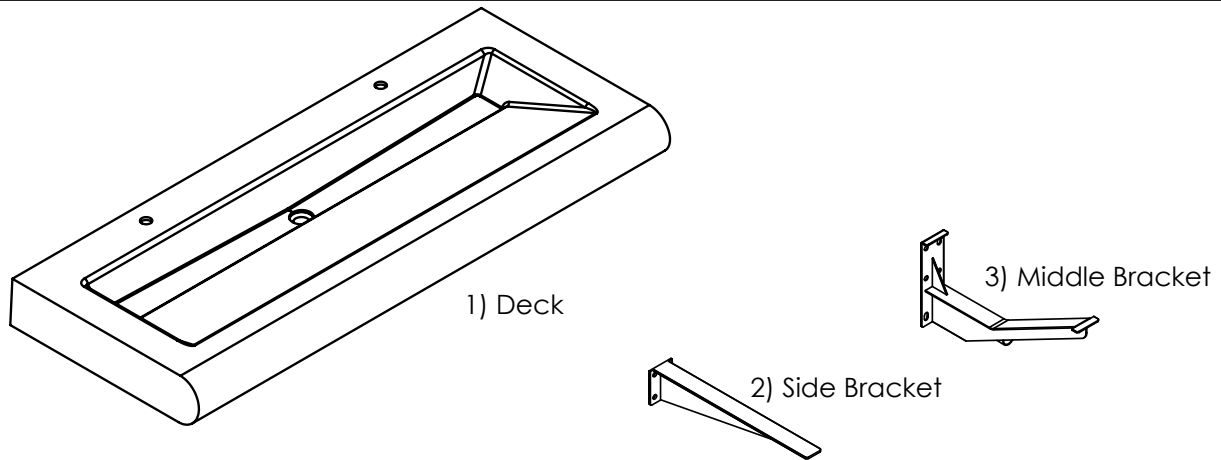
Two Station



Sink Location

Determine the appropriate wall location for the Lavatory System. Consider that hot and cold water supply lines, a drain line, and an electrical source (receptacle for hardwired faucets and hand dryer) will be required. Compare the physical dimensions of the Lavatory System to the space available for the installation. If wall is not load bearing, a carrier may be required behind the wall. Refer to the appropriate Rough-in diagrams for Lavatory System dimensions. Prior to Lavatory System installation, electric wiring, water supply and drain must be installed.

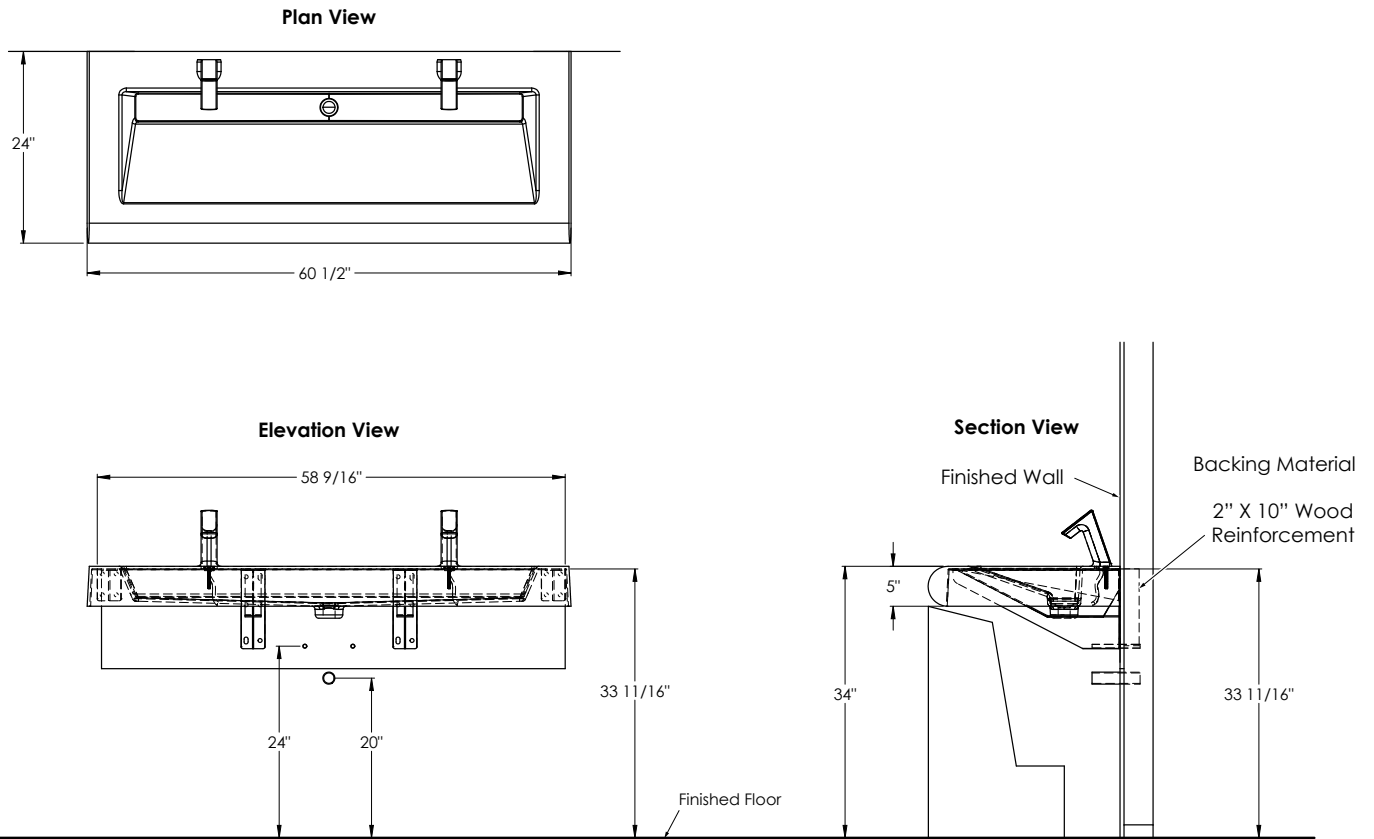
ELRF Two Station Components



ELRF Two Station Component List

Description	Item Number	Quantity
ELRF, Two Station, Deck	1	1
Side Bracket	2	2
Middle Bracket	3	2

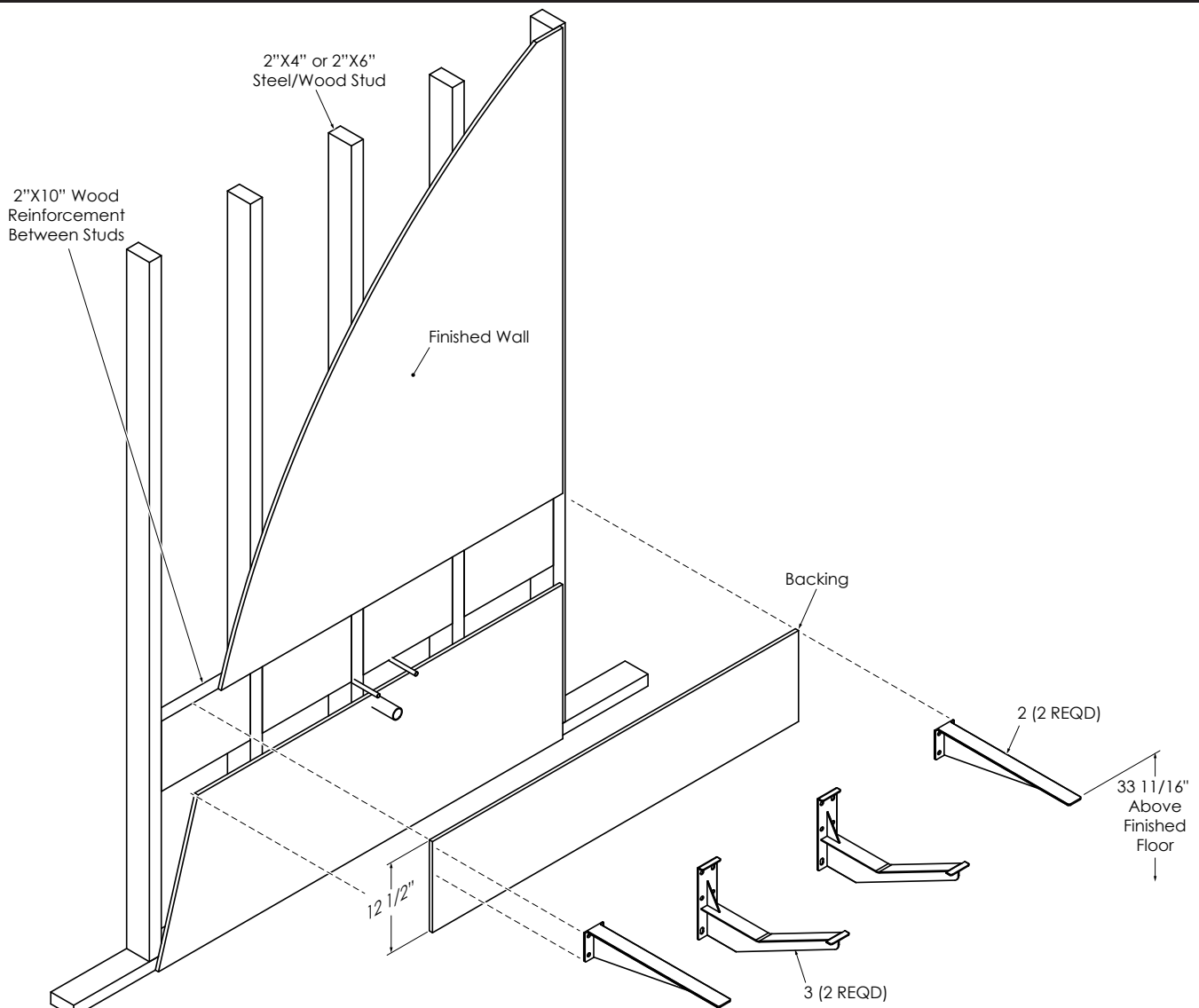
Rough-In (Two Station); Rough In



Note: Backing material should equal thickness of drywall, 1/2" min.

Figure 5

Backing and Bracket Installation (Two Station)



Note:
Due to manufacturer tolerances, all dimensions are for reference only.

Figure 6

5. Install Backing (Figure 6) onto wall studs.

Note: Backing supplied by others to meet local codes.

- If drywall is present, refer to rough-in, Figure 5, and cut out drywall window to the outer dimension of the side brackets at 12 1/2" high, 33" above finished floor.
 - Remove drywall window.
 - Pre-drill/cut holes for plumbing and electrical.
 - Install backing into cutout drywall window.
6. Mount the Side and Middle Brackets (2, 3, Figure 6) to the backing. Ensure that Side and Middle Brackets (2, 3) are level and the proper distance from the floor.

Note: Anchor side brackets to wall using 1,000 lb pull out mounting fasteners for 3/8" holes (not supplied).

- Using mounting fasteners secure Side and Middle Brackets (2, 3) onto backing, making sure that the top of Side and Middle Brackets (2, 3) are 33 inches above finished floor. (ADA specifications)

Faucet Installation (Two Station)

Notes:

- For ease of deck installation, leave the deck laying on its back and install component spouts.
- Components shown for reference only.

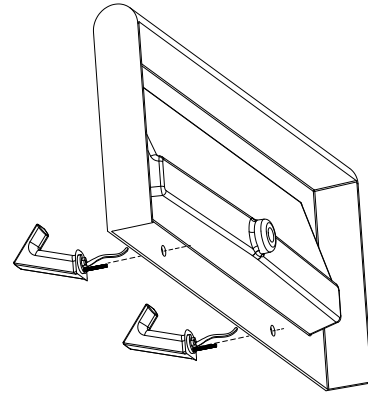


Figure 7

7. Install Faucet spouts, (Figure 7) onto sink according to manufacturer's instructions provided with components.

Sink Installation (Two Station)

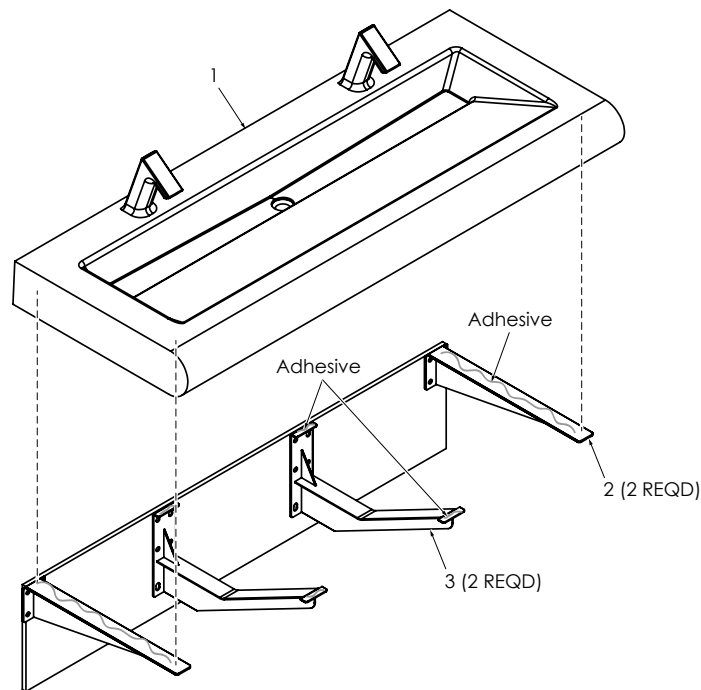


Figure 8

8. Install Deck (1, Figure 8) onto Side and Middle Brackets (2, 3).

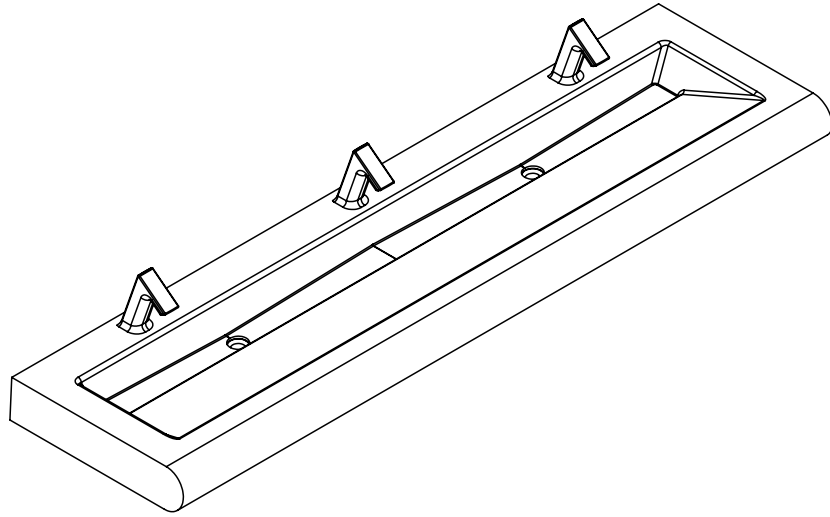
Note: Back of Deck (1) may require scribing to finished wall.

- a. Apply adhesive (not supplied) to the top of Side and Middle Brackets (2, 3).
- b. Lower Deck (1) onto Side and Middle Brackets (2, 3). Shim all gaps between Side and Middle Brackets (2, 3) and Deck (1).
- c. Install all water connections and drain lines.

End of ELRF-82000 Installation Instructions

ELRF-83000

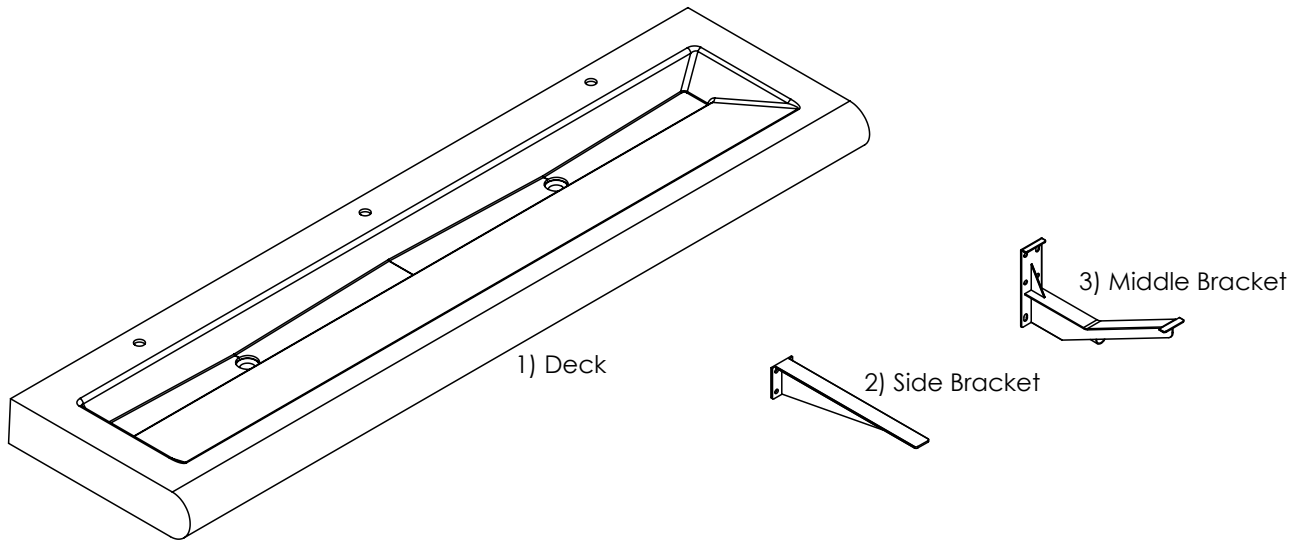
Three Station



Sink Location

Determine the appropriate wall location for the Lavatory System. Consider that hot and cold water supply lines, a drain line, and an electrical source (receptacle for hardwired faucets and hand dryer) will be required. Compare the physical dimensions of the Lavatory System to the space available for the installation. If wall is not load bearing, a carrier may be required behind the wall. Refer to the appropriate Rough-in diagrams for Lavatory System dimensions. Prior to Lavatory System installation, electric wiring, water supply and drain must be installed.

ELRF Three Station Components

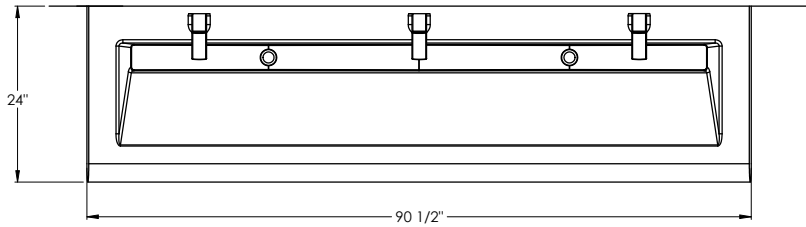


ELRF Three Station Component List

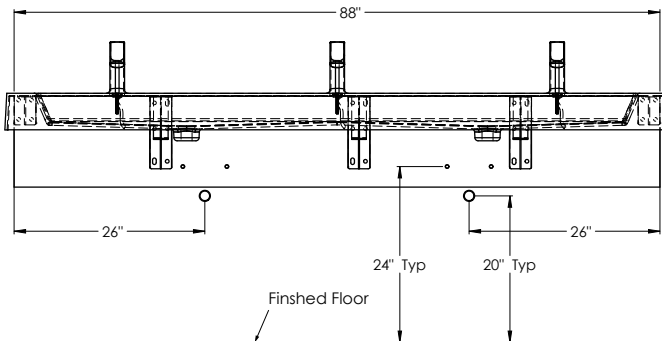
Description	Item Number	Quantity
ELRF, Three Station, Deck	1	1
Side Bracket	2	2
Middle Bracket	3	3

Rough-In (Three Station); Rough In

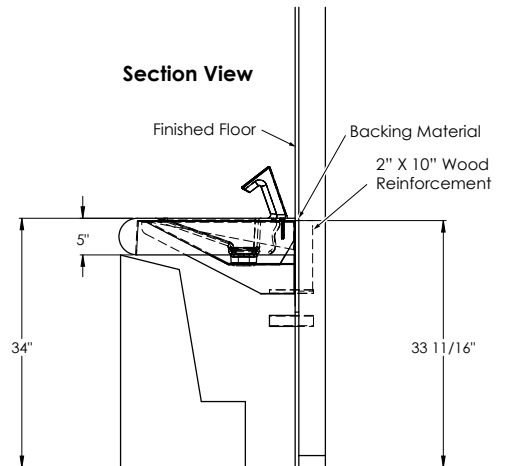
Plan View



Elevation View



Section View



Note: Backing material should equal thickness of drywall, 1/2" min.

Figure 9

Backing and Bracket Installation (Three Station)

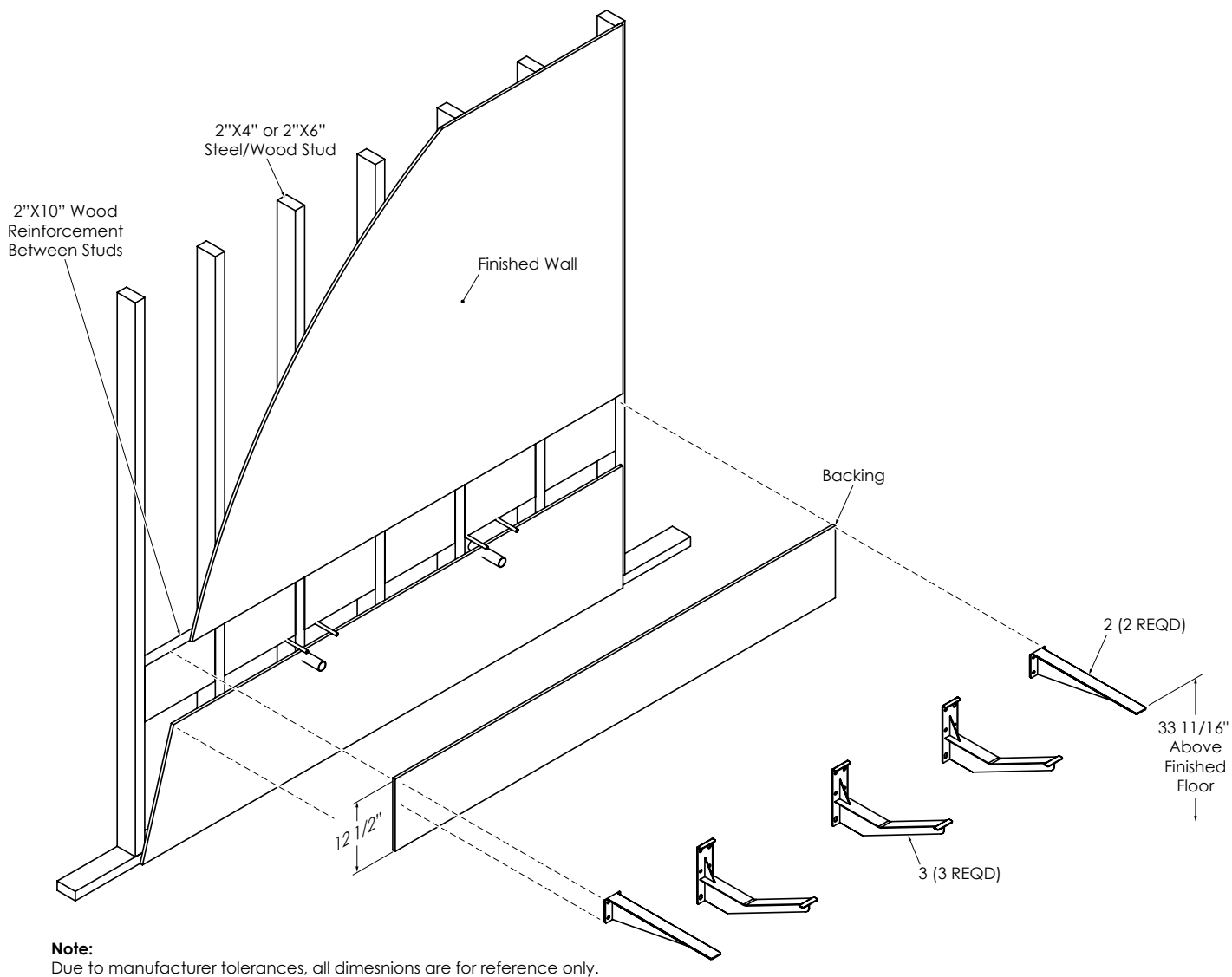


Figure 10

9. Install Backing (Figure 10) onto wall studs.

Note: Backing supplied by others to meet local codes.

- If drywall is present, refer to rough-in, Figure 9, and cut out drywall window to the outer dimension of the side brackets at 12 1/2" high, 33" above finished floor.
- Remove drywall window.
- Pre-drill/cut holes for plumbing and electrical.
- Install backing into cutout drywall window.

10. Mount the Side and Middle Brackets (2, 3, Figure 10) to the backing. Ensure that Side and Middle Brackets (2, 3) are level and the proper distance from the floor.

Note: Anchor side brackets to wall using 1,000 lb pull out mounting fasteners for 3/8" holes (not supplied).

- Using mounting fasteners secure Side and Middle Brackets (2, 3) onto backing, making sure that the top of Side and Middle Brackets (2, 3) are 33 inches above finished floor. (ADA specifications)

Faucet Installation (Three Station)

Notes:

- For ease of deck installation, leave the deck laying on its front (if no bag hooks are installed) or laying on its back and install component spouts.
- Components shown for reference only.

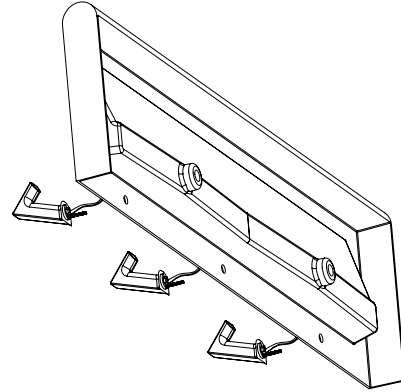


Figure 11

11. Install Faucet spouts, (Figure 11) onto sink according to manufacturer's instructions provided with components.

Sink Installation (Three Station)

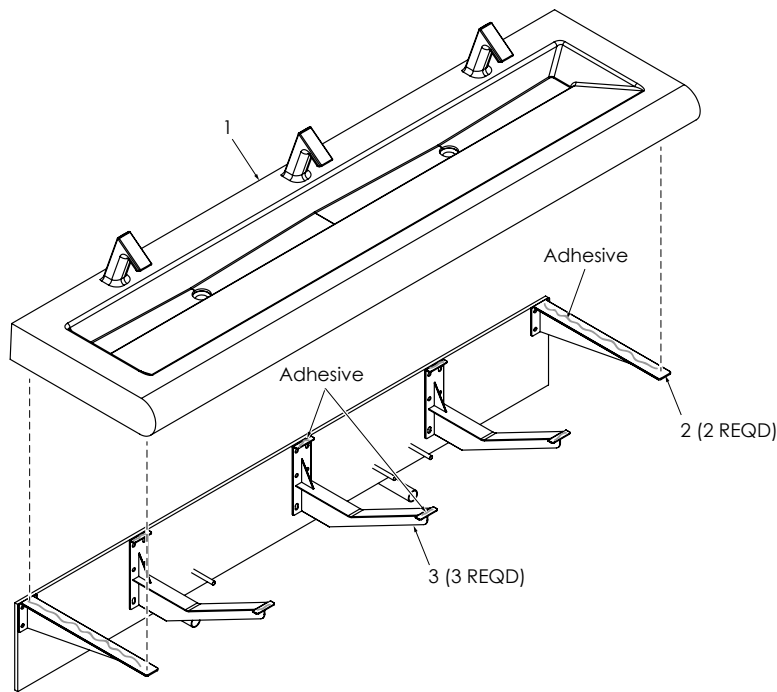


Figure 12

12. Install Deck (1, Figure 12) onto Side and Middle Brackets (2, 3).

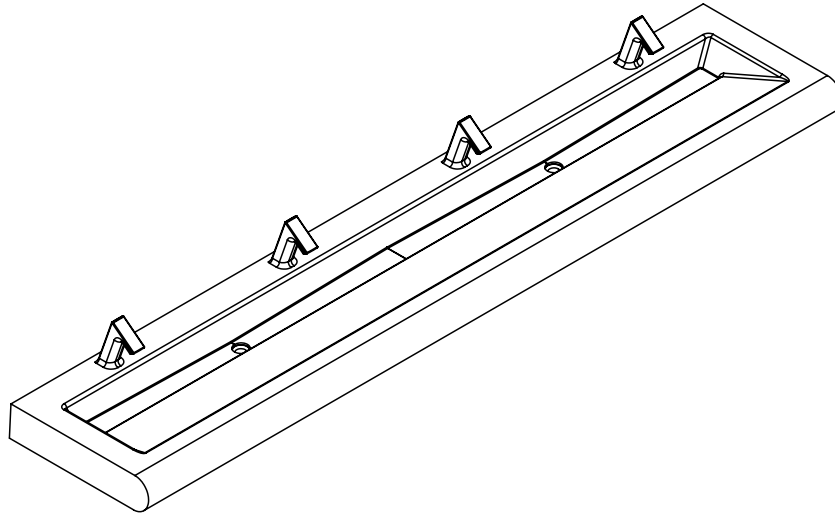
Note: Back of Deck (1) may require scribing to finished wall.

- a. Apply adhesive (not supplied) to the top of Side and Middle Brackets (2, 3).
- b. Lower Deck (1) onto Side and Middle Brackets (2, 3). Shim all gaps between Side and Middle Brackets (2, 3) and Deck (1).
- c. Install all water connections and drain lines.

End of ELRF-83000 Installation Instructions

ELRF-84000

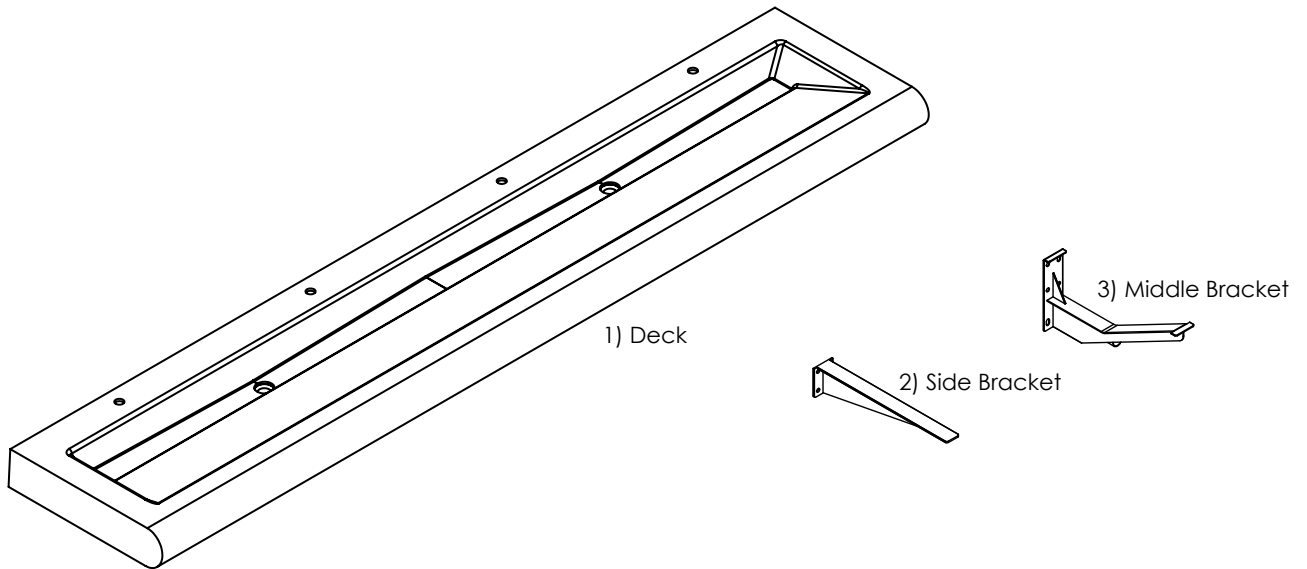
Four Station



Sink Location

Determine the appropriate wall location for the Lavatory System. Consider that hot and cold water supply lines, a drain line, and an electrical source (receptacle for hardwired faucets and hand dryer) will be required. Compare the physical dimensions of the Lavatory System to the space available for the installation. If wall is not load bearing, a carrier may be required behind the wall. Refer to the appropriate Rough-in diagrams for Lavatory System dimensions. Prior to Lavatory System installation, electric wiring, water supply and drain must be installed.

ELRF Four Station Components



ELRF Four Station Component List

Description	Item Number	Quantity
ELRF, Four Station, Deck	1	1
Side Bracket	2	2
Middle Bracket	3	4

Rough-In (Four Station); Rough In

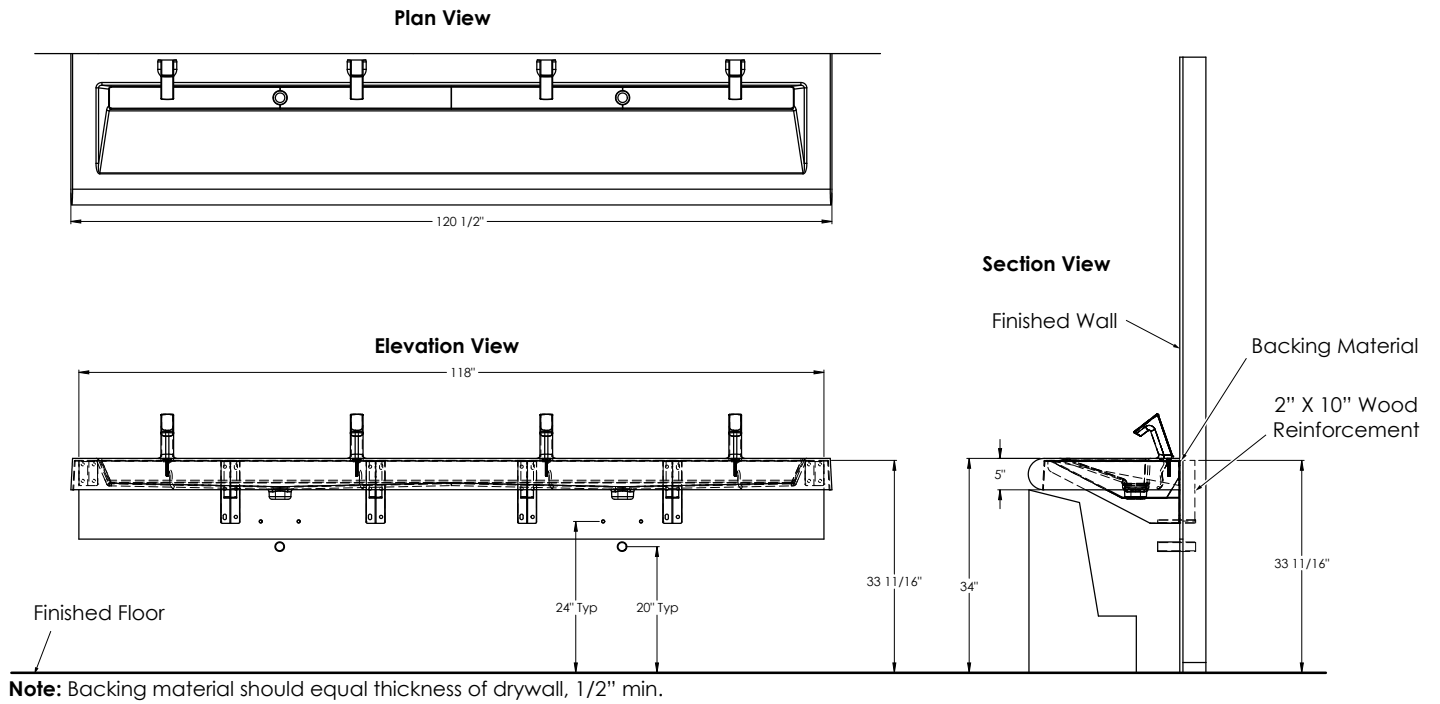
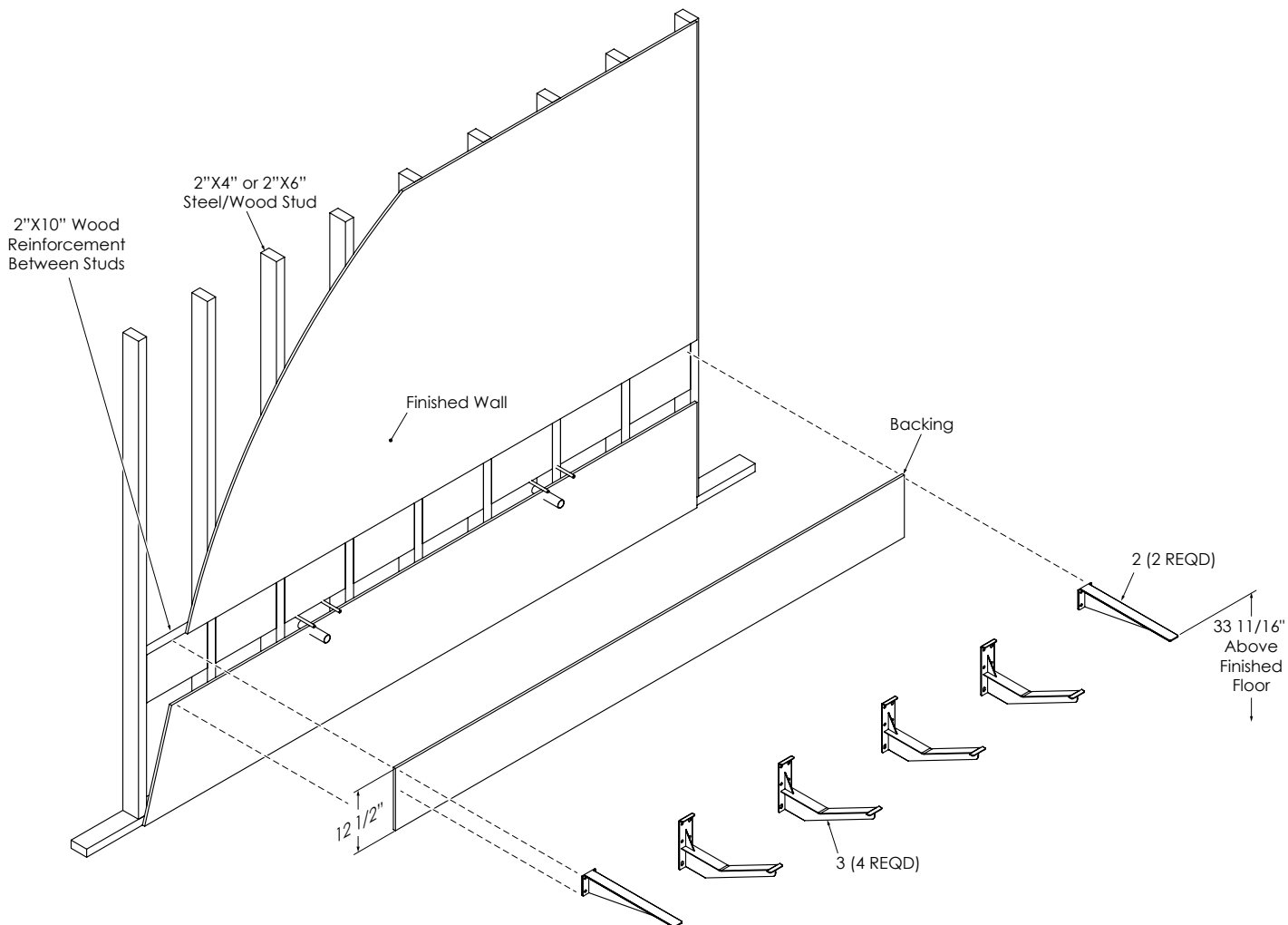


Figure 13

Backing and Bracket Installation (Four Station)



Note:
Due to manufacturer tolerances, all dimensions are for reference only.

Figure 14

13. Install Backing (Figure 14) onto wall studs.

Note: Backing supplied by others to meet local codes.

- If drywall is present, refer to rough-in, Figure 13, and cut out drywall window to the outer dimension of the side brackets at 12 1/2" high, 33" above finished floor.
- Remove drywall window.
- Pre-drill/cut holes for plumbing and electrical.
- Install backing into cutout drywall window.

14. Mount the Side and Middle Brackets (2, 3, Figure 14) to the backing. Ensure that Side and Middle Brackets (2, 3) are level and the proper distance from the floor.

Note: Anchor side brackets to wall using 1,000 lb pull out mounting fasteners for 3/8" holes (not supplied).

- Using mounting fasteners secure Side and Middle Brackets (2, 3) onto backing, making sure that the top of Side and Middle Brackets (2, 3) are 33 inches above finished floor. (ADA specifications)

Faucet Installation (Four Station)

Notes:

- For ease of deck installation, leave the deck laying on its front (if no bag hooks are installed) or laying on its back and install component spouts.
- Components shown for reference only.

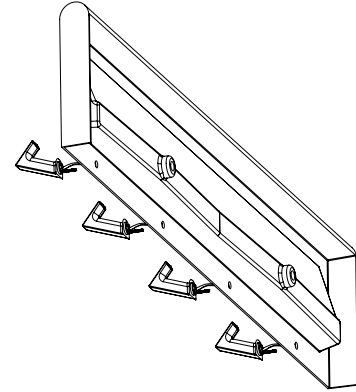


Figure 15

15. Install Faucet spouts, (Figure 15) onto sink according to manufacturer's instructions provided with components.

Sink Installation (Four Station)

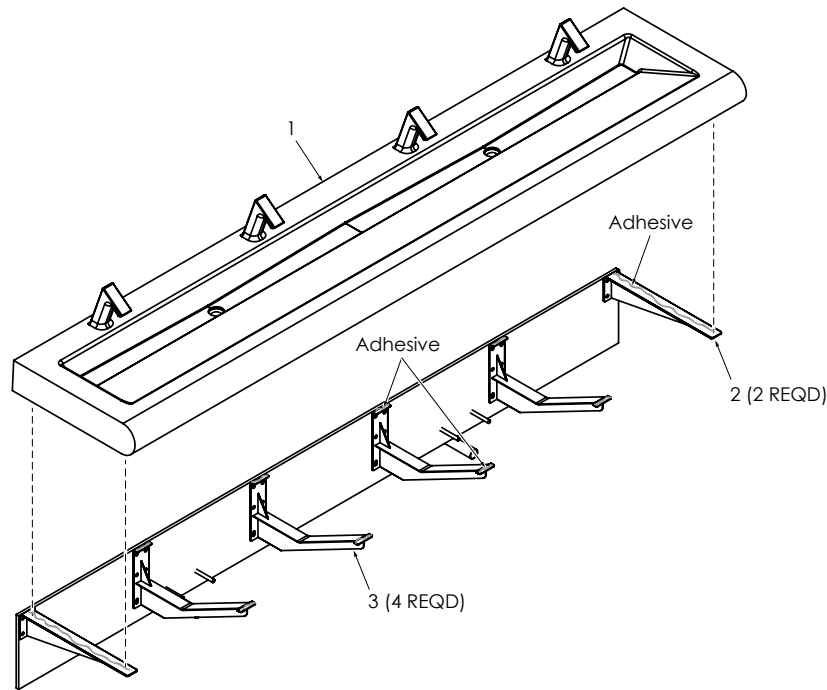


Figure 16

16. Install Deck (1, Figure 16) onto Side and Middle Brackets (2, 3).

Note: Back of Deck (1) may require scribing to finished wall.

- Apply adhesive (not supplied) to the top of Side and Middle Brackets (2, 3).
- Lower Deck (1) onto Side and Middle Brackets (2, 3). Shim all gaps between Side and Middle Brackets (2, 3) and Deck (1).
- Install all water connections and drain lines.

End of ELRF-84000 Installation Instructions